



深圳市金华利制冷设备有限公司

地址: 深圳市宝安区西乡镇金海路金海商务大厦A2栋506
电话: +86 755 27914815
传真: +86 755 27914835
邮编: 518102

SHENZHEN JINHUALI REFRIGERATION PLANT CO., LTD

Add: 506 room A2, Jinhai Building, JinHai Rd XiXiang St, BaoAn District, ShenZhen, China
Tel: +86 755 27914815
Fax: +86 755 27914835
P.C: 518102

华利集团有限公司

HUALI GROUP CO., LIMITED
Web: www.hualichina.cn
E-mail: huali@hualichina.cn

东莞市豪利制冷设备有限公司

地址: 东莞市大朗镇杨涌村杨新路338号
电话: +86 769 82915708
传真: +86 769 82915198
邮编: 523000

DONGGUAN GOLDEN REFRIGERATION EQUIPMENT CO., LTD

Add: No. 338, Yangxin Road, Yangchong Village, Dalang Town, Dongguan, Guangdong, China.
Tel: +86 769 82915708
Fax: +86 769 82915198
P.C: 523000

冷 风 机
HIGOLDEN AIR COOLER

华利集团有限公司
HUALIGROUP CO., LTD

梁深忠: 13825746191

HUALI Group Company Profile

HUALI Group Company is an advanced enterprise specializing in R&D, manufacturing, marketing, construction contracting, post sale service of refrigeration and relevant equipments. It has grown very fast, now become a company group, features top R&D capability, rich experience.

There are mainly 3 companies under the group company:

Shenzhen Jinhuali Refrigeration Plant Co., Ltd.

Dongguan Elegant Air Conditioner Co., Ltd

Dongguan Golden Refrigeration Equipment Co., Ltd

Keeping a business philosophy of "Achieve development with innovation, expand market with service", Now HUALI company dedicates itself in providing better quality, more energy saving refrigeration, tries to make more contribution to the global energy saving and consumption decrease object, it has sold its products of over 8 series to all parts of the world as Mid east, Europe, Australia, South east Asia, Africa etc.

It has registered for quality system certification, got government license for export and import. Its products have got certificates of CE, SGS, and CQC etc.

Contents



H series Air Cooler 1-3



MAC Ceiling Air Coolers 4-7



D Water Defrosting Air Coolers 8-10



B Double Side Blowing Air Coolers 11-12



DH Air Coolers 13



EV Air Cooler 14



FS Vertical type Blast Freezing Air Cooler 15-16



FT/W Air Cooled Condenser 17-19



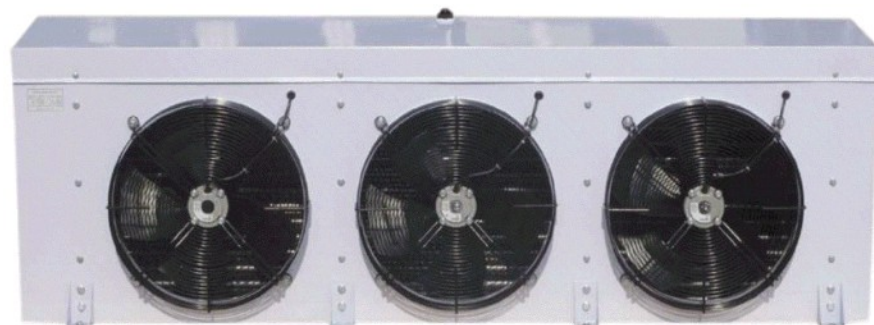
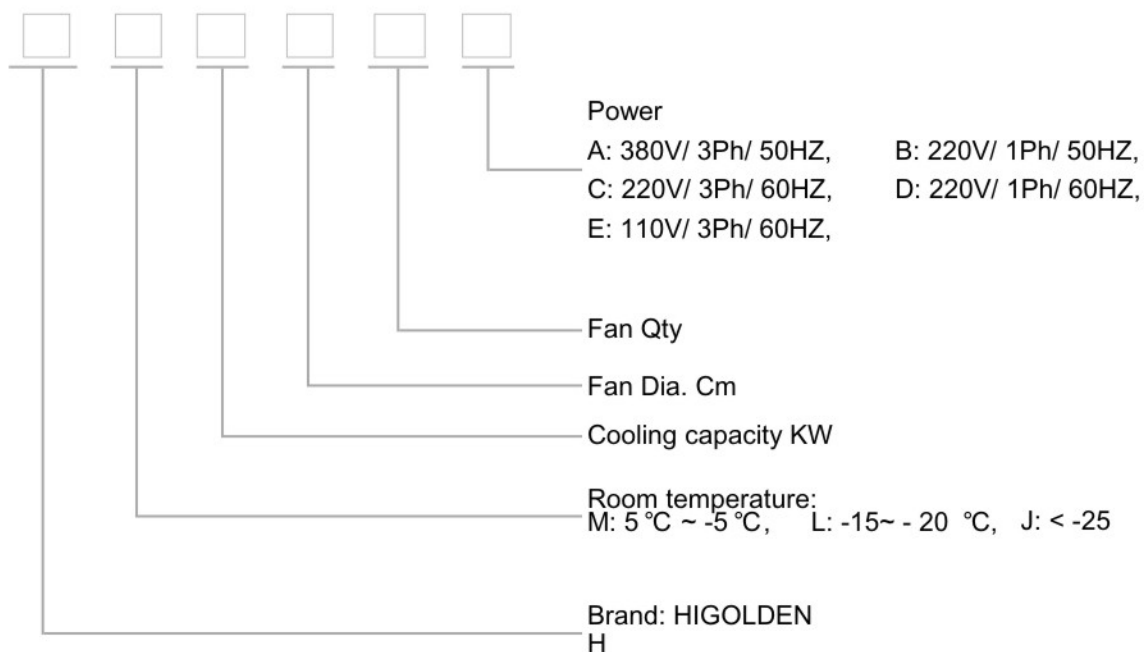
H series air cooler is a kind of indoor cooling equipment matching with freon condensing unit for all kinds of cold room, As per different temperature, has HL, HD, HJ 3 sub series of production for different range temperature needed.

HM air cooler for around 0 °C, mainly use for fresh-keep cold storage,
 HL for around -18°C, mainly use for cold storage,
 HJ for temperature below -25°C~-30°C, specially use for blast freezer room.

Features of Air Cooler:

- 1)With stainless steel casing,plastic finishment,corrosion-proof,attractive apperance;
- 2)Copper tube and aluminium fins,with high efficiency of heat exchange;
- 3)Configurated electrically heating pipe with high defrosting efficiency;
- 4)Double water-tank configurated,avoiding water tank to be frosted;
- 5)Adjustable length of fan pipe.

Model code:



HM Technical Parameter (fin space 4.5mm)

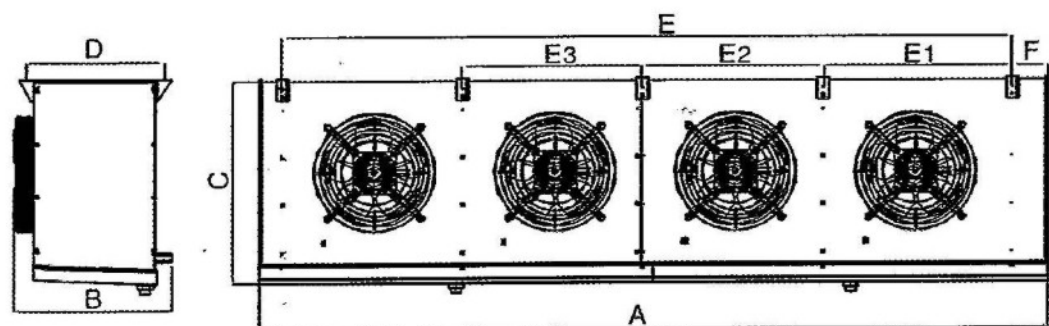
Model No.	Cooling Capacity KW		Air Flow m ³ /h	Air throw m	Fan Power W	Defrosting Power W		Size mm										Connecting pipe mm		Drain Pipe inch	Weight KG
	DT=7K, t0=-7°C					Coil	Drain	A	B	C	D	E	E1	E2	E3	F	Liqd	Gas			
	R22	R404A																			
HM2.2/311A	2.2	2.3	1500	9	90	1	0.5	642	445	465	364	440	-	-	-	105	φ12.7	φ12.7	1"	23.7	
HM3.5/311A	3.5	3.7	1500	9	90	1.5	0.5	642	445	465	364	440	-	-	-	105	φ12.7	φ19	1"	26.5	
HM4.7/312A	4.7	4.9	3000	9	180	2	1	1092	445	465	364	860	-	-	-	120	φ12.7	φ22	1"	41	
HM6/312A	6	6.3	3000	9	180	3	1	1108	455	465	384	860	-	-	-	120	φ12.7	φ22	1"	44	
HM9/352A	9	9.5	4500	10	280	3.6	1.2	1408	455	465	384	1160	-	-	-	135	φ16	φ22	1"	52	
HM12.5/402A	12.5	13.1	7000	12	390	6	1.5	1488	555	565	484	1240	-	-	-	135	φ16	φ22	1"	72	
HM14.5/402A	14.5	15.2	7000	12	390	6	1.5	1488	555	665	484	1240	-	-	-	135	φ16	φ28	1"	81	
HM17/402A	17	17.9	7000	12	390	7.5	1.5	1488	555	565	484	1240	-	-	-	135	φ16	φ28	1"	80	
HM25/502A	25	26.3	12000	15	1000	10.8	1.8	1758	555	665	484	1480	-	-	-	135	φ22	φ35	1"	113	
HM29/453A	29	30.5	13500	14	840	12	2	2121	595	665	502	1800	627	587	-	160	φ22	φ35	1"	141	
HM36.5/503A	36.5	38.3	18000	15	1500	15	2.5	2400	595	665	502	2080	720	680	-	160	φ22	φ42	1"	159	
HM42/503A	42	44.1	18000	15	1500	18	3	2704	595	665	502	2374	818	778	-	160	φ22	φ42	1"	176	
HM49/503A	49	51.5	18000	15	1500	18	3	2704	595	665	502	2374	818	778	-	160	φ22	φ54	1"	190	
HM59/504A	59	62	24000	15	2000	24	4	3938	785	675	682	3600	930	885	895	170	φ22	φ54	1"	277	
HM70/554A	70	73.5	30000	18	3000	28	4	3938	785	775	682	3600	930	885	895	170	φ22	φ54	1"	312	
HM84/554A	84	88.2	30000	18	3000	36	4	3978	785	975	682	3600	930	885	895	170	φ28	φ54	1"	373	
HM103/604A	103	108.2	42000	18	3400	44	4	3978	785	1175	682	3600	930	885	895	170	φ28	φ60	1"	442	
HM112/634A	112	117.6	46000	18	3520	48	4	3988	785	1275	682	3620	950	890	890	170	φ35	φ60	1"	487	
HM122/634A	122	128.1	46000	20	3520	52	4	3988	785	1375	682	3620	950	890	890	170	φ35	φ60	1"	516	

HL Technical Parameter (fin space 6.0mm)

Model	Capacity KW		Air Flow m ³ /h	Air throw m	Fan Power W	Defrost W		Size mm										Connecting pipe mm		Drain Pipe inch	Weight KG
	DT=7K, t0=-25°C					Coil	Drain	A	B	C	D	E	E1	E2	E3	F	Liqd	Gas			
	R22	R404A																			
HL1.4/311A	1.4	1.5	1500	9	90	1	0.5	642	445	465	364	440	-	-	-	105	φ12.7	φ12.7	1"	23.5	
HL2.3/311A	2.3	2.4	1500	9	90	1.5	0.5	642	445	465	364	440	-	-	-	105	φ12.7	φ19	1"	26	
HL3/312A	3	3.2	3000	9	180	2	1	1092	445	465	364	860	-	-	-	120	φ12.7	φ22	1"	40	
HL4.5/312A	4.5	4.7	3000	9	180	3	1	1108	455	465	384	860	-	-	-	120	φ12.7	φ22	1"	43	
HL6/352A	6	6.3	4500	10	280	3.6	1.2	1408	455	465	384	1160	-	-	-	135	φ16	φ22	1"	51	
HL7.5/402A	7.5	7.9	7000	12	390	6	1.5	1488	555	565	484	1240	-	-	-	135	φ16	φ22	1"	70	
HL9/402A	9	9.5	7000	12	390	6	1.5	1488	555	565	484	1240	-	-	-	135	φ16	φ28	1"	79.5	
HL11/402A	11	11.6	7000	12	390	7.5	1.5	1488	555	565	484	1240	-	-	-	135	φ16	φ28	1"	77	
HL15.5/502A	15.5	16.3	12000	15	1000	10.8	1.8	1758	555	665	484	1480	-	-	-	135	φ22	φ35	1"	109	
HL19/453A	19	20	13500	14	840	12	2	2121	595	665	502	1800	627	587	-	160	φ22	φ35	1"	137	
HL24/503A	24	25.2	18000	15	1500	15	2.5	2400	595	665	502	2080	720	680	-	160	φ22	φ42	1"	155	
HL29/503A	29	30.5	18000	15	1500	18	3	2704	595	665	502	2374	818	778	-	160	φ22	φ42	1"	171	
HL32/503A	32	33.6	18000	15	1500	18	3	2704	595	665	502	2374	818	778	-	160	φ22	φ54	1"	184	
HL38/504A	38	39.9	24000	15	2000	24	4	3938	785	675	682	3600	930	885	895	160	φ22	φ54	1"	270	
HL47/554A	47	49.4	30000	18	3000	28	4	3938	785	775	682	3600	930	885	895	170	φ22	φ54	1"	303	
HL58/554A	58	60.9	30000	18	3000	36	4	3978	785	975	682	3600	930	885	895	170	φ28	φ54	1"	361	
HL72/604A	72	75.6	42000	18	3400	44	4	3978	785	1175	682	3600	930	885	895	170	φ28	φ60	1"	428	
HL79/634A	79	83	46000	18	3520	48	4	3988	785	1275	682	3620	950	890	890	170	φ35	φ60	1"	471	
HL88/634A	88	92.4	46000	20	3520	52	4	3988	785	1375	682	3620	950	890	890	170	φ35	φ60	1"	500	

HJ Technical Parameter (fin space 9.0mm)

Model	Capacity KW		Air Flow m ³ /h	Air throw m	Fan Power W	Defrost W		Size mm									Connecting pipe mm		Drain Pipe inch	Weight KG
	DT=7K, t0=-32°C					Coil	Drain	A	B	C	D	E	E1	E2	E3	F	Liqd	Gas		
	R22	R404A																		
HJ1.7/311A	1.7	1.8	1500	9	90	1.5	0.5	642	445	465	364	440	-	-	-	105	φ12.7	φ19	1"	26
HJ2.2/312A	2.2	2.3	3000	9	180	2	1	1092	445	465	364	860	-	-	-	120	φ12.7	φ22	1"	40
HJ2.7/312A	2.7	2.8	3000	9	180	3	1	1108	455	465	384	860	-	-	-	120	φ12.7	φ22	1"	43
HJ4.2/352A	4.2	4.4	4500	10	280	3.6	1.2	1408	455	465	384	1160	-	-	-	135	φ16	φ22	1"	51
HJ5.6/402A	5.6	5.9	7000	12	390	6	1.5	1488	555	565	484	1240	-	-	-	135	φ16	φ22	1"	70.5
HJ6.8/402A	6.8	7.1	7000	12	390	6	1.5	1488	555	565	484	1240	-	-	-	135	φ16	φ28	1"	80
HJ7.8/402A	7.8	8.2	7000	12	390	7.5	1.5	1488	555	565	484	1240	-	-	-	135	φ16	φ28	1"	77.5
HJ11.5/502A	11.5	12.1	12000	15	1000	10.8	1.8	1758	555	665	484	1480	-	-	-	135	φ22	φ35	1"	110
HJ14/453A	14	14.7	13500	14	840	12	2	2121	595	665	502	1800	627	587	-	160	φ22	φ35	1"	138
HJ17/503A	17	17.9	18000	15	1500	15	2.5	2400	595	665	502	2080	720	680	-	160	φ22	φ42	1"	156
HJ20/503A	20	21	18000	15	1500	18	3	2704	595	665	502	2374	818	778	-	160	φ22	φ42	1"	172
HJ23/503A	23	24.2	18000	15	1500	18	3	2704	595	665	502	2374	818	778	-	160	φ22	φ54	1"	186
HJ26/504A	26	27.3	24000	15	2000	24	4	3938	785	675	682	3600	930	885	895	170	φ22	φ54	1"	272
HJ31/554A	31	32.6	30000	18	3000	28	4	3938	785	775	682	3600	930	885	895	170	φ22	φ54	1"	305
HJ40/554A	40	42	30000	18	3000	36	4	3978	785	975	682	3600	930	885	895	170	φ28	φ54	1"	364
HJ49/604A	49	51.5	42000	18	3400	44	4	3978	785	1175	682	3600	930	885	895	170	φ28	φ60	1"	432
HJ53.6/634A	53.6	56	46000	18	3520	48	4	3988	785	1275	682	3620	950	890	890	170	φ35	φ60	1"	476
HJ58/634A	58	61	46000	20	3520	52	4	3988	785	1375	682	3620	950	890	890	170	φ35	φ60	1"	505

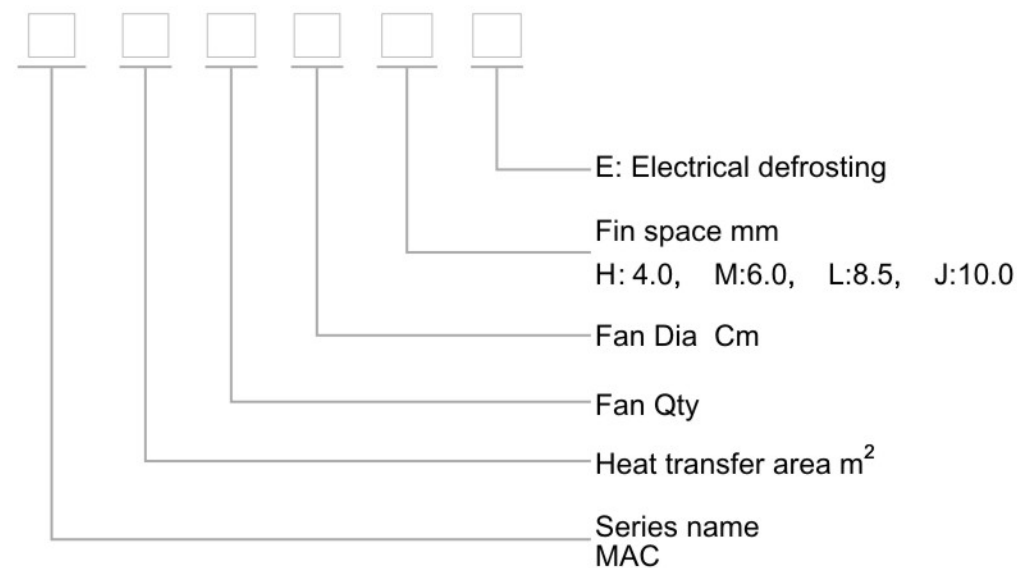


MAC series ceiling air cooler is Freon refrigeration units, can be used for the food fresh, cold storage and quick freezing etc.

Features of Air Cooler:

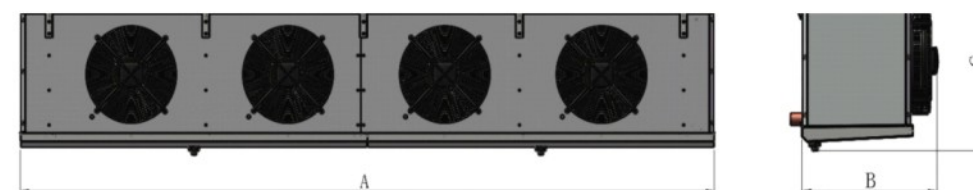
- 1) Coil made of φ12.7 efficient copper tube with internal thread, 37.5×32.5 positioned in equilateral triangle.
- 2) 4 different fin space of 4.0, 6.0, 8.5, 10.0 for customer's choice to meet different temperature requirement of the room.
- 3) External rotor fan for low temperature, with low noise, high efficiency, and reliability.
- 4) Stainless steel electric heater produced by Italian zuomoshi company, which evenly placed in the coil with good defrosting effect.
- 5) Fan motor and electric heater has been connected to the terminal box, convenient for wire connection.
- 6) Shell made of alloy of aluminum or stainless plate, easy to be assembled and disassembled.

Model code:



Nominal capacity affected by:

Room temperature 0°C, evaporator temperature -8°C, different temperature DT=8K, and refrigerant is R22.



Specification

Fin space 4.0mm for room temperature 0°C and beyond

Model	Nominal capacity KW	Area m ²	Air flow m ³ /h	Air throw m	Tube V dm ³	Fan motor				Defrosting heater			
						Voltage V	Dia. mm	Qty n	Input W	Voltage V	Input (kw)		
											Coil tube	Water	
Fan dia φ350	MAC17/135HE	3.67	16.8	2500	12	4	380	350	1	150	220	1.2	0.6
	MAC25/135HE	5.15	25.2	2300	11	6	380	350	1	150	220	1.2	0.6
	MAC34/235HE	7.34	33.6	5000	13	7.7	380	350	2	300	220	2.4	1.2
	MAC51/235HE	10.36	50.5	4600	12	11.5	380	350	2	300	220	3.6	1.2
	MAC51/335HE	11.12	50.5	7500	14	11.3	380	350	3	450	220	3	1.5
MAC76/335HE	15.49	75.7	6900	13	17	380	350	3	450	220	4.5	1.5	
Fan dia φ450	MAC48/145HE	9.98	47.7	5000	14	11.1	380	450	1	250	220	3.3	1.3
	MAC64/145HE	12.07	63.5	4800	12	14.7	380	450	1	250	220	4.4	1.3
	MAC95/245HE	19.95	95.3	10000	16	21.4	380	450	2	500	220	6	2.4
	MAC127/245HE	24.13	127	9600	14	28.5	380	450	2	500	220	8	2.4
	MAC143/345HE	29.93	143	15000	18	31.8	380	450	3	750	220	9	3.3
	MAC191/345HE	36.29	191	14400	16	42.4	380	450	3	750	220	12	3.3
	MAC191/445HE	39.9	191	20000	18	42.1	380	450	4	1000	220	12	3.8
MAC254/445HE	48.26	254	19200	16	55	380	450	4	1000	220	16	3.8	
Fan dia φ560	MAC206/255HE	39.14	205.6	15600	20	45.8	380	550	2	1200	220	12	4
	MAC257/255HE	46.48	257	15200	18	57.3	380	550	2	1200	220	16	4
	MAC310/355HE	58.19	308.4	23400	22	68.2	380	550	3	1800	220	20	4
	MAC385/355HE	69.71	385.4	22800	20	85.2	380	550	3	1800	220	24	4
	MAC410/455HE	78.29	411	31200	23	90.6	380	550	4	2400	220	26	6
MAC514/455HE	93.05	514	30400	21	113.2	380	550	4	2400	220	30	6	
Fan dia φ630	MAC290/263HE	54.86	287.8	23600	30	64.2	380	630	2	1760	220	18	4
	MAC360/263HE	65.05	359.7	21600	28	80.3	380	630	2	1760	220	24	4
	MAC432/363HE	82.19	431.7	35400	30	95.5	380	630	3	2640	220	28	6
	MAC540/363HE	97.62	539.6	32400	28	119	380	630	3	2640	220	35	6
	MAC576/463HE	109.52	575.6	47200	30	127	380	630	4	3520	220	40	8
MAC720/463HE	130.2	719.5	43200	28	159	380	630	4	3520	220	50	8	

Fin space 6.0mm for room temperature -18°C and beyond

Model	Nominal capacity KW	Area	Air flow m ³ /h	Air throw m	Tube V dm ³	Fan motor				Defrosting heater			
						Voltage V	Dia. mm	Qty n	Input W	Voltage V	Input (kw)		
											Coil tube	Water	
Fan dia φ350	MAC12/135ME	2.95	11.5	2800	13	4	380	350	1	150	220	1.2	0.6
	MAC17/135ME	4.11	17.3	2500	12	6	380	350	1	150	220	1.2	0.6
	MAC23/235ME	5.9	23	5600	14	7.7	380	350	2	300	220	2.4	1.2
	MAC35/235ME	8.22	34.6	5000	13	11.5	380	350	2	300	220	3.6	1.2
	MAC35/335ME	8.87	34.6	8400	15	11.3	380	350	3	450	220	3	1.5
MAC52/335ME	12.35	51.9	7500	14	17	380	350	3	450	220	4.5	1.5	
Fan dia φ450	MAC33/145ME	7.26	32.6	5200	15	11.1	380	450	1	250	220	3.3	1.3
	MAC44/145ME	8.68	43.5	5000	14	14.7	380	450	1	250	220	4.4	1.3
	MAC65/245ME	14.54	65.2	10400	16	21.4	380	450	2	500	220	6	2.4
	MAC87/245ME	17.39	87	10000	15	28.5	380	450	2	500	220	8	2.4
	MAC98/345ME	21.95	98	15600	18	31.8	380	450	3	750	220	9	3.3
	MAC131/345ME	26.03	130.6	15000	16	42.4	380	450	3	750	220	12	3.3
	MAC131/445ME	29.17	130.6	20800	20	42.1	380	450	4	1000	220	12	3.8
MAC174/445ME	34.68	174	20000	18	55	380	450	4	1000	220	16	3.8	
Fan dia φ560	MAC141/255ME	30.1	140.8	16600	24	45.8	380	550	2	1200	220	12	4
	MAC176/255ME	35.24	176	15600	22	57.3	380	550	2	1200	220	16	4
	MAC210/355ME	43.24	211.2	24900	26	68.2	380	550	3	1800	220	20	4
	MAC264/355ME	52.76	264	23400	24	85.2	380	550	3	1800	220	24	4
	MAC282/455ME	56.29	281.6	33200	28	90.6	380	550	4	2400	220	26	6
MAC352/455ME	70.38	352	31200	26	113.2	380	550	4	2400	220	30	6	
Fan dia φ630	MAC197/263ME	41.3	197.1	23600	28	64.2	380	630	2	1760	220	18	4
	MAC246/263ME	49.24	246.4	21600	24	80.3	380	630	2	1760	220	24	4
	MAC296/363ME	62	295.7	35400	30	95.5	380	630	3	2460	220	28	6
	MAC370/363ME	73.9	369.6	32400	26	119	380	630	3	2460	220	35	6
	MAC394/463ME	82.57	394.2	47200	30	127	380	630	4	3520	220	40	8
MAC493/463ME	98.57	492.8	43200	28	159	380	630	4	3520	220	50	8	

Specification

Fin space 8.5mm for room temperature -25°C and beyond

Model	Nominal capacity KW	Area m ²	Air flow m ³ /h	Air throw m	Tube V dm ³	Fan motor				Defrosting heater			
						Voltage V	Dia. mm	Qty n	Input W	Voltage V	Input (kw)		
											Coil tube	Water	
Fan dia φ350	MAC9/135LE	2.47	8.6	3000	13	4	380	350	1	150	220	1.2	0.6
	MAC13/135LE	3.33	13	2600	11	6	380	350	1	150	220	1.2	0.6
	MAC17/235LE	4.94	17.3	6000	13	7.7	380	350	2	300	220	2.4	1.2
	MAC26/235LE	6.65	25.9	5200	12	11.5	380	350	2	300	220	3.6	1.2
	MAC26/335LE	7.32	25.9	9000	14	11.3	380	350	3	450	220	3	1.5
MAC39/335LE	9.98	38.9	7800	13	17	380	350	3	450	220	4.5	1.5	
Fan dia φ450	MAC25/145LE	6.27	24.5	5000	14	11.1	380	450	1	250	220	3.3	1.3
	MAC33/145LE	7.79	32.6	4800	14	14.7	380	450	1	250	220	4.4	1.3
	MAC50/245LE	12.54	49.5	10000	18	21.4	380	450	2	500	220	6	2.4
	MAC65/245LE	15.49	65.2	9600	16	28.5	380	450	2	500	220	8	2.4
	MAC74/345LE	18.81	73.5	15000	20	31.8	380	450	3	750	220	9	3.3
	MAC98/345LE	23.28	98	14400	18	42.4	380	450	3	750	220	12	3.3
	MAC98/445LE	25.18	98	20000	22	42.1	380	450	4	1000	220	12	3.8
MAC131/445LE	31.07	130.6	19200	20	55	380	450	4	1000	220	16	3.8	
Fan dia φ560	MAC106/255LE	25.14	105.6	16600	24	45.8	380	550	2	1200	220	12	4
	MAC132/255LE	28.95	132	15600	22	57.3	380	550	2	1200	220	16	4
	MAC160/355LE	37.7	158.4	24900	26	68.2	380	550	3	1800	220	20	4
	MAC198/355LE	43.43	198	23400	24	85.2	380	550	3	1800	220	24	4
	MAC210/455LE	50.29	211.2	33200	28	90.6	380	550	4	2400	220	26	6
MAC264/455LE	57.8	264	31200	26	113.2	380	550	4	2400	220	30	6	
Fan dia φ630	MAC150/263LE	35.24	147.8	23600	28	64.2	380	630	2	1760	220	18	4
	MAC185/263LE	40.57	185	21600	24	80.3	380	630	2	1760	220	24	4
	MAC222/363LE	52.86	221.8	35400	30	95.5	380	630	3	2640	220	28	6
	MAC277/363LE	60.76	277.2	32400	26	119	380	630	3	2640	220	35	6
	MAC296/463LE	70.38	295.7	47200	30	127	380	630	4	3520	220	40	8
MAC370/463LE	80.95	369.6	43200	28	159	380	630	4	3520	220	50	8	

Fin space 10mm for room temperature -35°C and beyond

Model	Nominal capacity KW	Area m ²	Air flow m ³ /h	Air throw m	Tube V dm ³	Fan motor				Defrosting heater			
						Voltage V	Dia. mm	Qty n	Input W	Voltage V	Input (kw)		
											Coil tube	Water	
Fan dia φ450	MAC21/145JE	5.8	21.2	5000	14	11.1	380	450	1	250	220	3.3	1.3
	MAC28/145JE	7.22	28.3	4800	14	14.7	380	450	1	250	220	4.4	1.3
	MAC43/245JE	11.69	42.4	10000	18	21.4	380	450	2	500	220	6	2.4
	MAC57/245JE	14.54	56.6	9600	16	28.5	380	450	2	500	220	8	2.4
	MAC64/345JE	17.48	63.6	15000	20	31.8	380	450	3	750	220	9	3.3
	MAC85/345JE	21.85	85	14400	18	42.4	380	450	3	750	220	12	3.3
	MAC85/445JE	23.47	85	20000	22	42.1	380	450	4	1000	220	12	3.8
Fan dia φ560	MAC113/445JE	29.07	113.2	19200	20	55	380	450	4	1000	220	16	3.8
	MAC92/256JE	25.24	91.5	16600	24	45.8	380	550	2	1200	220	12	4
	MAC115/256JE	29.43	114.4	15600	22	57.3	380	550	2	1200	220	16	4
	MAC140/356JE	37.9	137.3	24900	26	68.2	380	550	3	1800	220	20	4
	MAC172/356JE	44.19	172	23400	24	85.2	380	550	3	1800	220	24	4
Fan dia φ630	MAC183/456JE	50.57	183	33200	28	90.6	380	550	4	2400	220	26	6
	MAC230/456JE	58.86	228.8	31200	26	113.2	380	550	4	2400	220	30	6
	MAC130/263JE	35.3	128.1	23600									

Overall and installation sizes

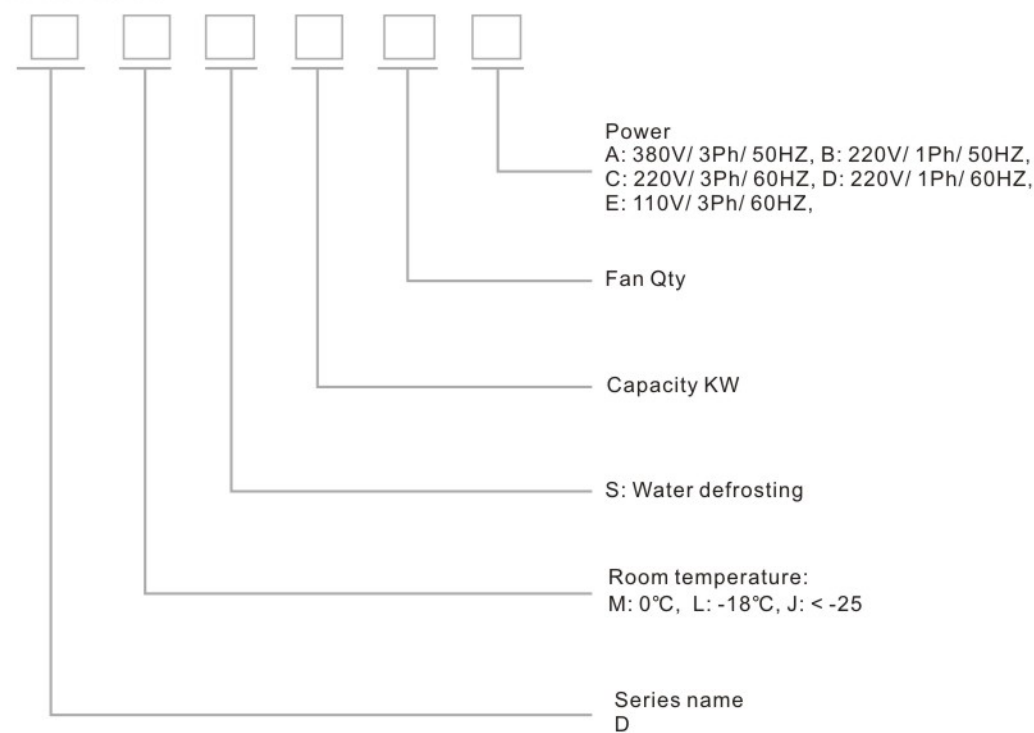
Model	Overall size mm			Mounting size mm						Conn dia mm		Drain pip
	A	B	C	D	E	E1	E2	E3	F	Inlet	Outlet	
MAC17/135HE, MAC12/135ME, MAC9/135LE	885	460	575	430	635	—	—	—	122.5	φ12.7	φ22	1"
MAC25/135HE, MAC17/135ME, MAC13/135LE	885	460	575	430	635	—	—	—	122.5	φ12.7	φ22	1"
MAC34/235HE, MAC23/235ME, MAC17/235LE	1485	460	575	430	1235	—	—	—	122.5	φ12.7	φ28	1"
MAC51/235HE, MAC35/235ME, MAC26/235LE	1485	460	575	430	1235	—	—	—	122.5	φ12.7	φ28	1"
MAC51/335HE, MAC35/335ME, MAC26/335LE	2085	460	575	430	1835	—	—	—	122.5	φ12.7	φ28	2"
MAC76/335HE, MAC52/335ME, MAC39/335LE	2085	460	575	430	1835	—	—	—	122.5	φ16	φ35	2"
MAC48/145HE, MAC33/145ME, MAC25/145LE, MAC21/145JE	1205	600	730	575	890	—	—	—	155	φ22	φ35	1"
MAC64/145HE, MAC44/145ME, MAC33/145LE, MAC28/145JE	1205	600	730	575	890	—	—	—	155	φ22	φ35	1"
MAC95/245HE, MAC65/245ME, MAC50/245LE, MAC43/245JE	2055	600	730	575	1740	870	—	—	155	φ22	φ42	2"
MAC127/245HE, MAC87/245ME, MAC65/245LE, MAC57/245JE	2055	600	730	575	1740	870	—	—	155	φ22	φ42	2"
MAC143/345HE, MAC98/345ME, MAC74/345LE, MAC64/345JE	2905	600	730	575	2590	870	850	—	155	φ28	φ42	2-1"
MAC191/345HE, MAC131/345ME, MAC98/345LE, MAC85/345JE	2905	600	730	575	2590	870	850	—	155	φ28	φ42	2-1"
MAC191/445HE, MAC131/445ME, MAC98/445LE, MAC85/445JE	3755	600	730	575	3440	870	850	850	155	φ28	φ42	2"
MAC254/445HE, MAC174/445ME, MAC131/445LE, MAC113/445JE	3755	600	730	575	3440	870	850	850	155	φ28	φ54	2"
MAC206/255HE, MAC141/255ME, MAC106/255LE, MAC92/255JE	2577	715	890	615	2240	1120	1120	—	166	φ28	φ54	2-1"
MAC257/255HE, MAC176/255ME, MAC132/255LE, MAC115/255JE	2577	715	890	615	2240	1120	1120	—	166	φ28	φ54	2-1"
MAC310/355HE, MAC210/355ME, MAC160/355LE, MAC140/355JE	3677	715	890	615	3340	1120	1100	—	166	φ35	φ54	2-1"
MAC385/355HE, MAC264/355ME, MAC198/355LE, MAC172/355JE	3677	715	890	615	3340	1120	1100	—	166	φ35	φ54	2-1"
MAC410/455HE, MAC282/455ME, MAC210/455LE, MAC183/455JE	4777	715	890	615	4440	1120	1100	1100	166	2 x φ28	2 x φ54	2-2"
MAC514/455HE, MAC352/455ME, MAC264/455LE, MAC230/455JE	4777	715	890	615	4440	1120	1100	1100	166	2 x φ28	2 x φ54	2-2"
MAC290/263HE, MAC197/263ME, MAC150/263LE, MAC130/263JE	2577	775	1186	685	2240	1120	1120	—	166	φ28	φ54	2-1"
MAC360/263HE, MAC240/263ME, MAC185/263LE, MAC160/263JE	2577	775	1186	685	2240	1120	1120	—	166	φ28	φ54	2-1"
MAC430/363HE, MAC296/363ME, MAC222/363LE, MAC190/363JE	3677	775	1186	685	3340	1120	1100	—	166	φ35	φ54	2-1"
MAC540/363HE, MAC370/363ME, MAC277/363LE, MAC240/363JE	3677	775	1186	685	3340	1120	1100	—	166	φ35	φ54	2-1"
MAC576/463HE, MAC394/463ME, MAC296/463LE, MAC286/463JE	4777	775	1186	685	4440	1120	1100	1100	166	2 x φ28	2 x φ54	2-2"
MAC720/463HE, MAC493/463ME, MAC370/463LE, MAC320/463JE	4777	775	1186	685	4440	1120	1100	1100	166	2 x φ28	2 x φ54	2-2"

D series air cooler is specially designed for some occasions where electrical defrosting is prohibited or where quick defrosting is required. It has DM, DL, DJ sub series of products for 0°C, -18°C and below -25°C cold rooms.

Features of Air Cooler:

- 1) Cabinet of steel plate with plastic spray, corrosion proof, and pleasant looking.
- 2) Mechanically expanded pipes with AL fins with good transfer performance.
- 3) With water defrosting thus resulted in high efficiency and quick defrosting speed.
- 4) Long distance sir throw is optional.
- 5) It is suitable for anti-explosive demand.

Model code:

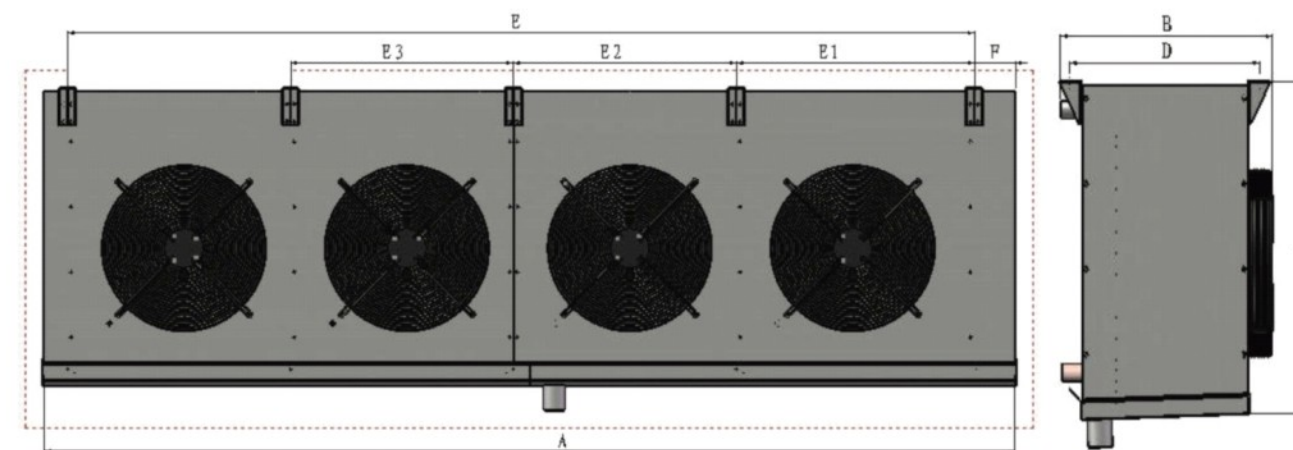


Specifications:

Model	Capacity DT=7K KW	Fan					defrost water m³/h	Weight kg
		Air flow m³/h	Air throw m	Dia mm	Input w	Volteg V		
DMS17/402A	17	7000	12	400	2x195	380	1.9	181
DMS25/452A	25	9000	14	450	2x280	380	2.7	203
DMS29/453A	29	13500	14	450	3x280	380	3.1	270
DMS36.5/503A	36.5	18000	15	500	3x500	380	3.7	297
DMS42/503A	42	18000	15	500	3x500	380	4.3	340
DMS49/503A	49	18000	15	500	3x500	380	4.9	385
DMS59/504A	59	24000	15	500	4x500	380	6.1	420
DMS70/554A	70	30000	18	550	4x750	380	7.3	510
DMS84/554A	84	30000	18	550	4x750	380	7.7	530
DLS11/402A	11	7000	12	400	2x195	380	1.5	176
DLS15.5/452A	15.5	9000	14	450	2x280	380	2	196
DLS19/453A	19	13500	14	450	3x280	380	2.4	265
DLS24/503A	24	18000	15	500	3x500	380	2.9	285
DLS29/503A	29	18000	15	500	3x500	380	3.4	330
DLS32/503A	31	18000	15	500	3x500	380	3.9	375
DLS38/504A	38	24000	15	500	4x500	380	4.8	385
DLS47/554A	47	30000	18	550	4x750	380	6.1	440
DLS58/554A	58	30000	18	550	4x750	380	6.5	460
DJS7.8/402A	7.8	7000	12	400	2x195	380	1.1	172
DJS11.5/452A	11.5	9000	14	450	2x280	380	1.3	195
DJS14/453A	14	13500	14	450	3x280	380	1.7	256
DJS17/503A	17	18000	15	500	3x500	380	2.1	277
DJS20/503A	20	18000	15	500	3x500	380	2.5	320
DJS23/503A	23	18000	15	500	3x500	380	2.9	363
DJS26/504A	26	24000	15	500	4x500	380	3.5	396
DJS31/554A	31	30000	18	550	4x750	380	4.3	484
DJS40/554A	40	30000	18	550	4x750	380	5.3	506

Overall and installation sizes.

Model	Overall size mm					Mounting size mm					dia mm Conn		Water defrosting Pipe dia	
	A	B	C	D	E	E1	E2	E3	F	Inlet	Outlet	Inlet	Outlet	
DMS17/402A DLS11/402A DJS7.8/402A	1486	600	630	512	1240	640	—	—	140	φ16	φ35	1-1/2"	2"	
DMS25/452A, DLS15.5/452A DJS11.5/452A	1726	600	743	512	1480	760	—	—	140	φ16	φ35	1-1/2"	2"	
DMS29/453A DLS19/453A DJS14/453A	2086	630	780	542	1840	640	600	—	140	φ22	φ42	1-1/2"	2"	
DMS36.5/503A DLS24/503A DJS17/503A	2476	630	780	542	2230	770	730	—	140	φ22	φ42	1-1/2"	2"	
DMS42/503A DLS29/503A DJS20/503A	2700	670	860	652	2440	840	800	—	150	φ22	φ42	1-1/2"	2"	
DMS49/503A DLS32/503A DJS23/503A	2700	755	980	652	2440	840	800	—	150	φ28	φ54	2-1/2"	3"	
DMS59/504A DLS38/504A DJS26/504A	3930	895	810	658	3640	940	900	900	180	φ28	φ54	2-1/2"	3"	
DMS70/554A DLS47/554A DJS31/554A	3930	920	1030	688	3640	960	900	900	180	φ28	φ54	2-1/2"	3"	
DMS84/554A DLS58/554A DJS40/554A	3930	920	1030	688	3640	960	900	900	180	φ28	φ54	2-1/2"	3"	

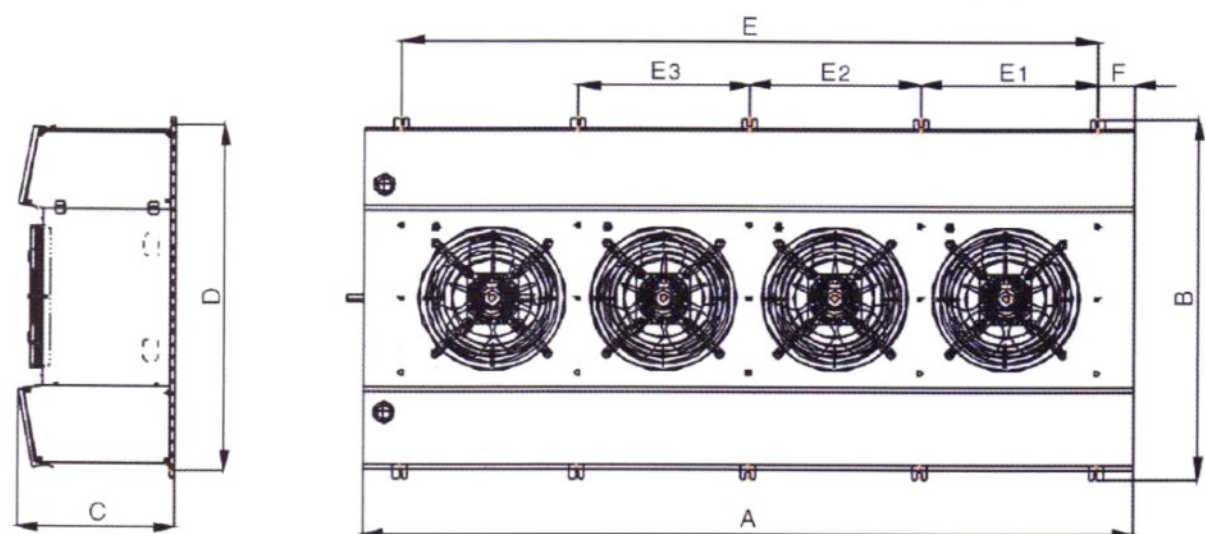
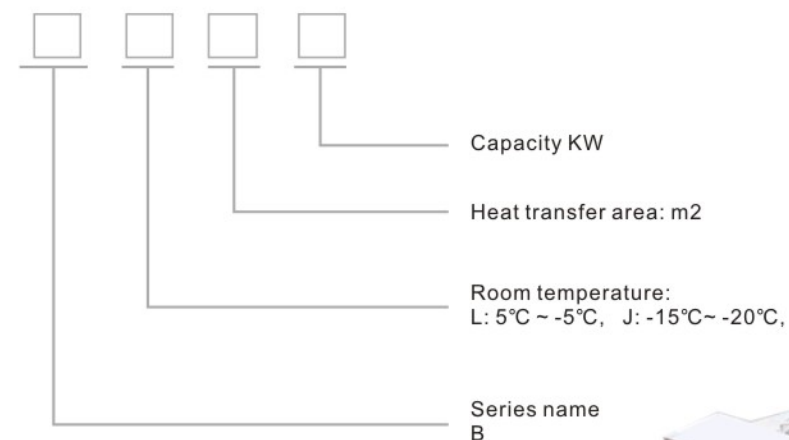


B series air cooler is specially designed for food processing workshops. It's cooled air blows from double sides, is very gentle. It has L and J sub series of products for 0°C, -18°C around rooms.

Features of Air Cooler:

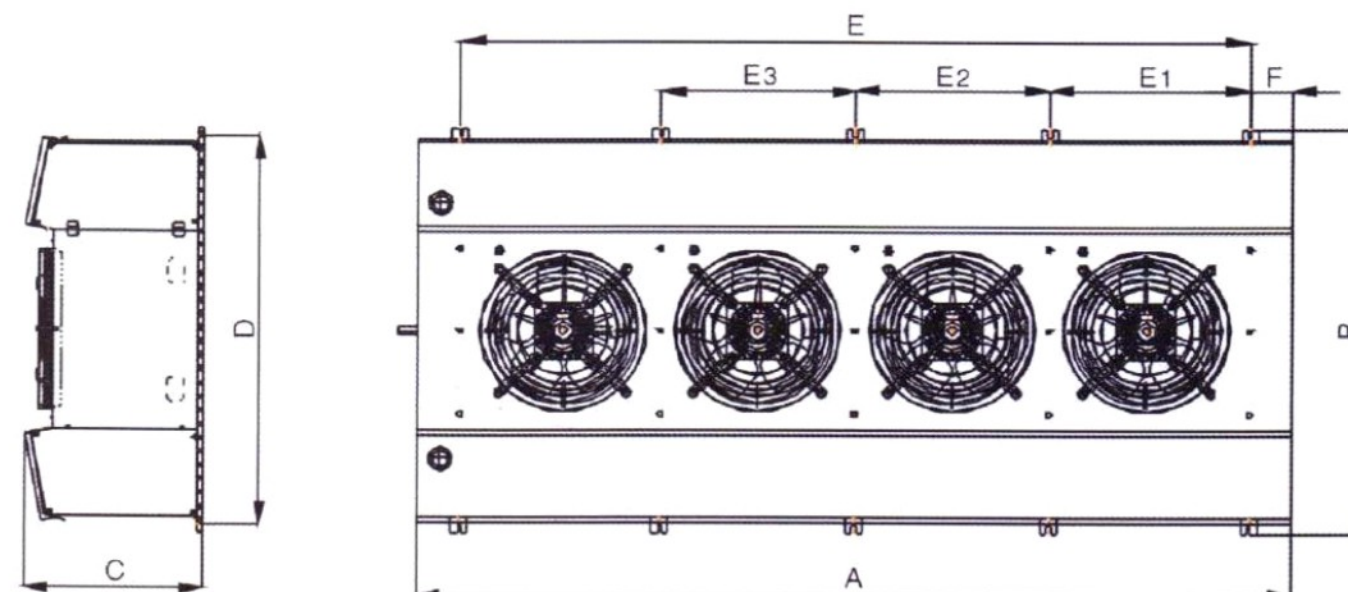
- 1) Cabinet of steel plate with plastic spray, or ALU and Mg alloy, is pleasant looking.
- 2) With external rotor fans, double side blowing. The air flow is gentle and quiet.
- 3) Excellent defrosting by in side evenly arranged stainless steel electrical heaters.

Model code:



Specifications (fin space: BL 4.0mm, BJ 6.0mm)

Model	Capacity		Tube V	Fan				Electrical defrosting		Installation Size mm									Connecting pipe mm		Drain Pipe inch
	KW	m ²		Air Flow m ³ /h	diameter mm	input W	V	input KW	V	A	B	C	D	E	E1	E2	E3	F	Liqd	Gas	
BL23	5.5	22.8	2.5	4000	400	1x195	380	4	220	906	1042	390	990	690	—	—	—	110	φ12	φ22	2x1"
BL30	7.3	30.4	3.4	4000	400	1x195	380	6	220	906	1162	390	1110	690	—	—	—	110	φ12	φ22	
BL42	10.1	42	4.4	8000	400	2x195	380	9	220	1256	1162	390	1110	1040	—	—	—	110	φ16	φ28	
BL56	13.5	56.1	5.9	8000	400	2x195	380	9	220	1256	1162	390	1110	1040	—	—	—	110	φ16	φ35	
BL70	16.8	70	7.2	12000	400	3x195	380	9	220	1756	1162	402	1110	1540	500	500	—	110	φ16	φ35	
BL88	21	87.6	8.9	12000	400	3x195	380	9	220	1756	1162	402	1110	1540	500	500	—	110	φ16	φ35	
BL117	28	116.8	11.7	16000	400	4x195	380	9	220	2255	1162	477	1110	1540	500	500	500	110	φ22	φ35	
BL140	33.6	140.2	14	16000	400	4x195	380	9	220	2255	1162	477	1110	1540	500	500	500	110	φ22	φ42	
BJ16	3.1	15.6	2.5	4000	400	2x195	380	4	220	906	1042	390	990	690	—	—	—	110	φ12	φ22	2x1"
BJ21	4.1	20.8	3.4	4000	400	2x280	380	6	220	906	1162	390	1110	690	—	—	—	110	φ12	φ22	
BJ29	5.8	28.8	4.4	8000	400	3x280	380	9	220	1256	1162	390	1110	1040	—	—	—	110	φ16	φ28	
BJ38	7.7	38.4	5.9	8000	400	3x500	380	9	220	1256	1162	390	1110	1040	—	—	—	110	φ16	φ35	
BJ48	9.6	48	7.2	12000	400	3x500	380	12	220	1756	1162	402	1110	1540	500	500	—	110	φ16	φ35	
BJ60	12	60	9.5	12000	400	3x500	380	12	220	1756	1162	402	1110	1540	500	500	—	110	φ16	φ35	
BJ80	16	80	10.6	16000	400	4x500	380	12	220	2255	1162	477	1110	1540	500	500	500	110	φ22	φ35	
BJ96	19.2	96	14	16000	400	4x750	380	12	220	2255	1162	477	1110	1540	500	500	500	110	φ22	φ42	

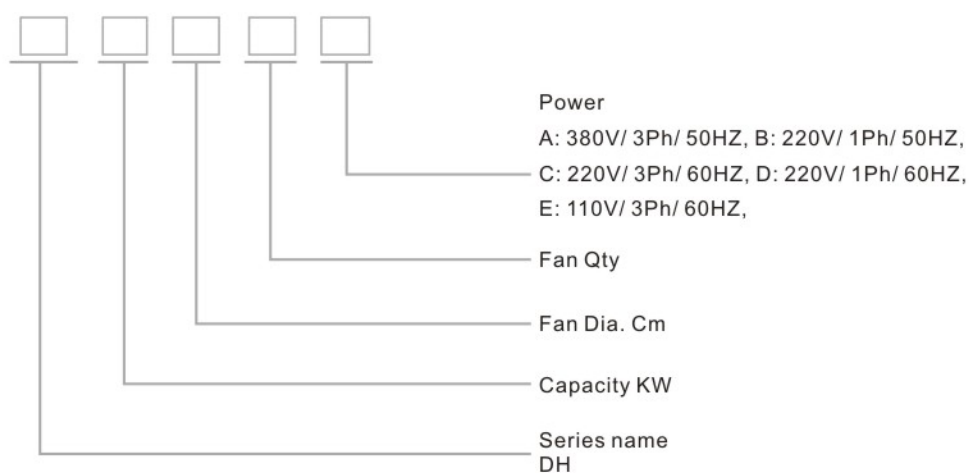


DH series air cooler is specially designed for mushroom, vegetable, and flower cold room.

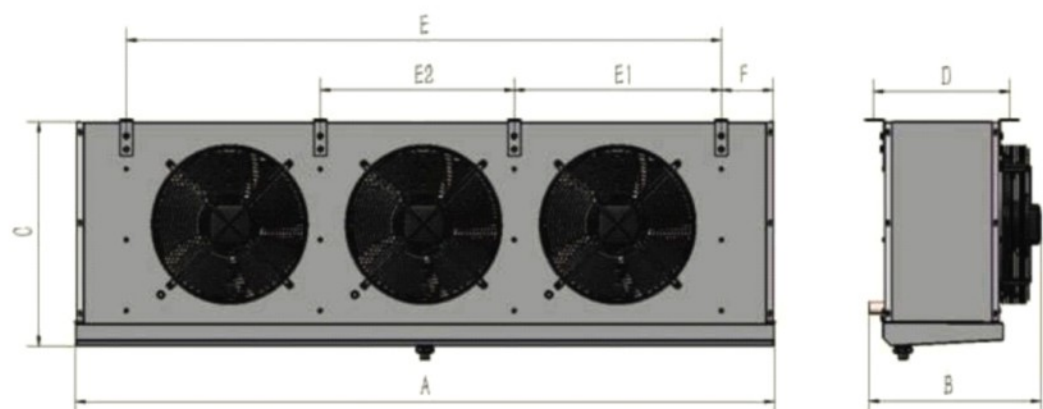
Features of Air Cooler:

- 1) With compact structure, 2.2mm space ALU fins of hydrophilia structure painting, results in high heat exchanging efficiency.
- 2) Cabinet of steel plate with plastic spray, corrosion proof and pleasant looking.
- 3) Stagger arrangement, mechanically expanding of the pipes, results in good heat transfer performance.
- 4) Long distance air throw is optional.
- 5) Special motors is optional for high humidity ambient.
- 6) Fin type electrical heaters is optional.

Model code:



Model	Capacity KW	Air flow m ³ /h	Air throw m	Fan W	Overall size (mm)								Pipe Dia mm		drainage
					A	B	C	D	E	E1	E2	F	Liquid	Gas	
DH10/352A	10	4500	8	280	1260	515	480	415	940	/	/	160	φ16	φ28	1"
DH13/352A	13	4500	8	280	560	515	480	415	940	640	/	60	φ16	φ28	1"
DH17 5/402A	17.5	7000	9	390	1620	515	580	415	1300	670	/	160	φ16	φ35	1"
DH26/403A	26	10000	9	585	1920	515	680	415	1600	560	520	160	φ22	φ35	1"
DH29/453A	29	13500	9	840	2160	515	680	415	1840	640	640	160	φ22	φ35	1"



EV series of air cooler is specially designed for showcase freezers, suitable for temperature of 0°C ~18°C around.

Features:

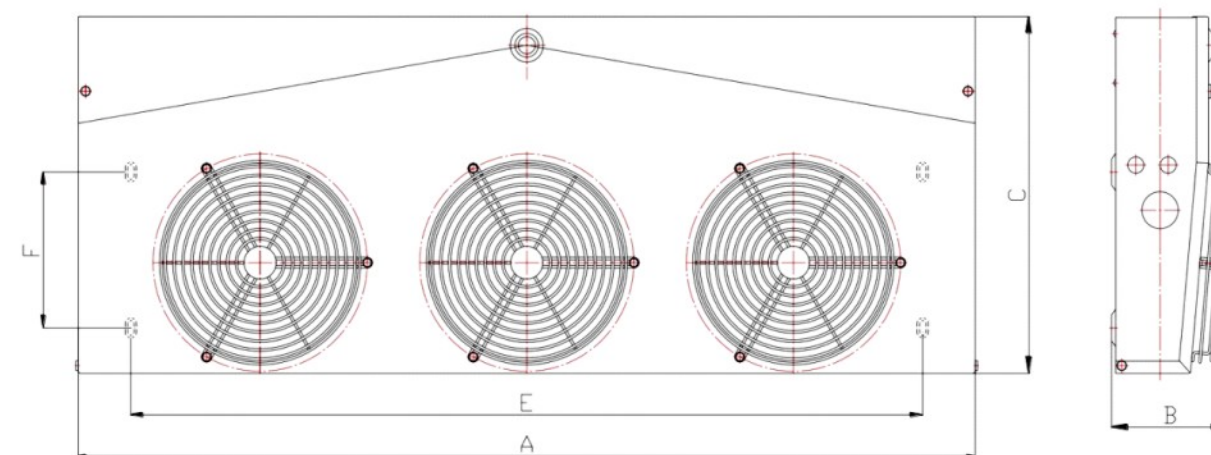
- 1) Cabinet of ALU and Mg alloy, corrosion proof and pleasant looking.
- 2) Mechanically expanded pipes with AL fins with good heat transfer performance.
- 3) Double fin space, 4.5 and 9.0m structure.
- 4) Ceiling installing type, the water receiver is easy to dismantle and clean.

Model	Capacity KW	Area M ²	Pipe. Volume dM ³	Fan				Electrical defrosting KW
				Air flow m ³ /h	Dia mm	V	Power W	
EV-40	0.3	1.4	0.33	410	200	1x40	220	0.3
EV-60	0.4	2.3	0.48	410	200	1x40	220	0.3
EV-100	0.63	2.4	0.54	820	200	2x40	220	0.5
EV-130	0.85	3.8	0.8	820	200	2x40	220	0.5
EV-180	1.28	4.8	1.07	1230	200	3x40	220	1.0
EV-290	1.76	7.7	1.61	1230	200	3x40	220	1.0
EV-380	2.2	9.4	1.96	1640	200	4x40	220	1.0

Note: Test condition: room temperature :0°C , temperature difference:8°C

Overall and installing size

Model	Overall and installing size mm					Pipe dia mm		drainage
	A	B	C	E	F	in	out	
EV-40, EV-60	410	152	435	280	190	φ 9.52	φ 9.52	1"
EV-100, EV-130	610	152	435	480	190	φ 9.52	φ 9.52	
EV-180, EV-290	1110	152	435	980	190	φ 12	φ 16	
EV-380	1380	152	435	1245	190	φ 12.7	φ 16	

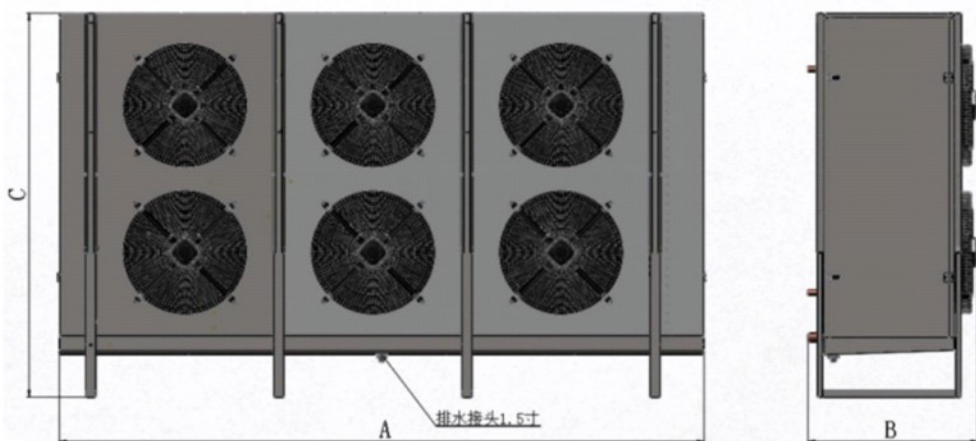
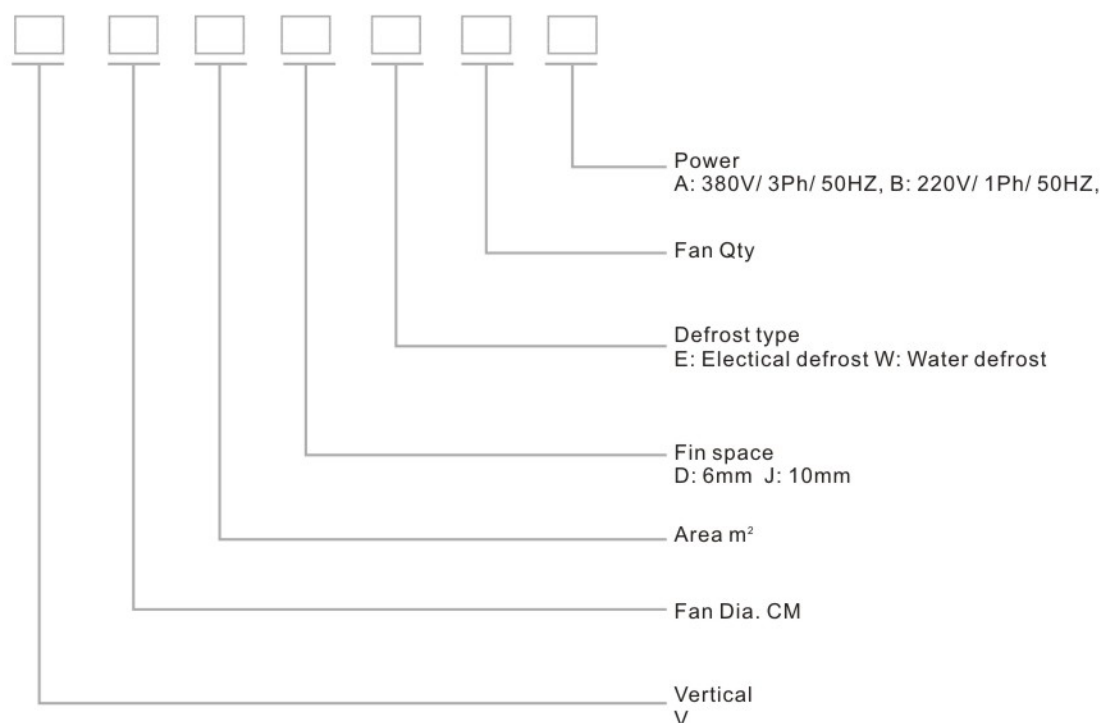


Coils with optimized aligning arrangement of Φ16mm coppers and big area, small wet loss, decreasing the food dry loss. It is good for Freon cold room, especially good for high humid, heavy frosting fish and meat cold rooms.

Features of Air Cooler:

- 1) With big heat exchanging area, less wet loss, can decrease the food weight loss.
- 2) Low frosting speed, decrease defrosting time, and energy and cost decrease.
- 3) With external rotor fan of low noise, and high stable operation.
- 4) Pleasant outlook of high quality corrosion proof steel cabinet, or stainless steel sheet cabinet.
- 5) With vertical structure, easy installation and operation.

Model code:



1.DE Type air cooler, Fin space 6mm, nominal capacity at: Room tem:-18℃, Evaporation Tem:-25℃, DT=7℃, R22

Model	Capacity KW	Air Flow m ³ /h	Air Throw	Fan Power KW	Defrost KW	Overall size mm			Pipe Dia mm		Pipe Volume dm ³
						A	B	C	Liquid	Gas	
V50-210DE4A	36.9	24000	16	2	16.5	1935	824	1685	22	54	47.6
V50-280DE4A	46.8	24000	14	2	22.5	1935	924	1685	22	54	63.4
V50-300DE6A	56.1	36000	16	3	22	2535	824	1685	28	60	66.1
V50-400DE6A	69.3	36000	14	3	30	2535	924	1685	28	60	88.1
V55-260DE4A	50.1	32000	18	3	22	2295	824	1685	22	54	58.7
V55-350DE4A	61.1	32000	16	3	30	2295	924	1685	28	60	78.2
V55-350DE6A	71	48000	18	4.5	22	2535	824	1685	28	60	77.2
V55-460DE6A	84.7	48000	16	4.5	30	2535	924	1685	28	60	103.2
V63-300DE4A	60.5	40000	20	3.52	24	2295	824	1885	28	60	67.1
V63-400DE4A	73.5	40000	18	3.52	32	2295	924	1885	28	60	89.4
V63-450DE6A	89.1	60000	20	5.28	24	3195	824	1885	28	60	98.8
V63-600DE6A	105.6	60000	18	5.28	32	3195	924	1885	35	60	131.8

2.JE Type air cooler, Fin space 10mm, nominal capacity at: Room tem:-33℃, Evaporation Tem:-40℃, DT=7℃, R22

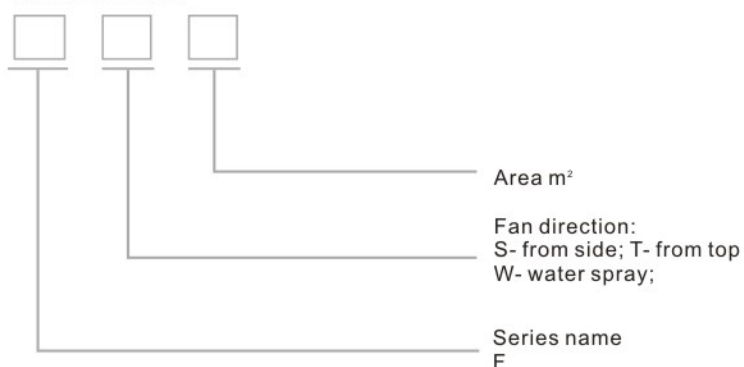
Model	Capacity KW	Air Flow m ³ /h	Air Throw	Fan Power KW	Defrost KW	Overall size mm			Pipe Dia mm		Pipe Volume dm ³
						A	B	C	Liquid	Gas	
V50-130JE4A	18.7	24000	16	2	16.5	1935	824	1685	22	54	47.6
V50-170JE4A	23.1	24000	14	2	22.5	1935	924	1685	22	54	63.4
V50-185JE6A	27.5	36000	16	3	22	2535	824	1685	28	60	66.1
V50-245JE6A	36.3	36000	14	3	30	2535	924	1685	28	60	88.1
V55-165JE4A	25.3	32000	18	3	22	2295	824	1685	22	54	58.7
V55-215JE4A	31.5	32000	16	3	30	2295	924	1685	28	60	78.2
V55-215JE6A	35.2	48000	18	4.5	22	2535	824	1685	28	60	77.2
V55-290JE6A	43.5	48000	16	4.5	30	2535	924	1685	28	60	103.2
V63-185JE4A	30.3	40000	20	3.52	24	2295	824	1885	28	60	67.1
V63-245JE4A	38	40000	18	3.52	32	2295	924	1885	28	60	89.4
V63-280JE6A	45.1	60000	20	5.28	24	3195	824	1885	28	60	98.8
V63-370JE6A	52.8	60000	18	5.28	32	3195	924	1885	3	60	131.8

Air-cooled Condensers are suitable in a wide range of refrigeration and air conditioning applications. FS is side air blow type, FT and FTW are the top air blow type.

Features of Air Cooler:

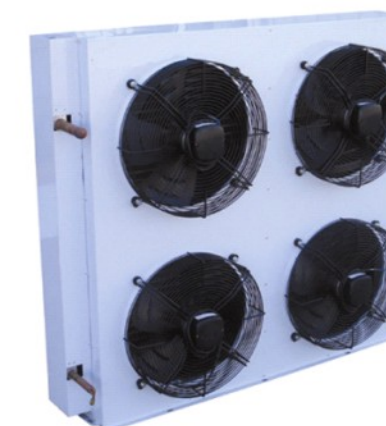
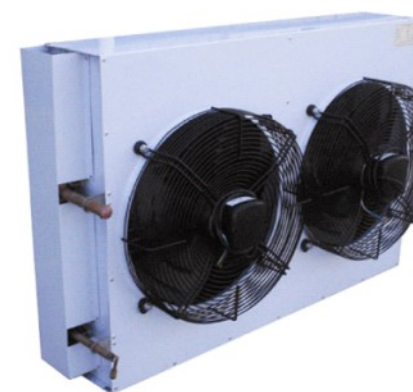
- 1) Cabinet is steel plate with plastic spray, corrosion proof and pleasant looking.
- 2) Mechanically expanded pipes with AL fins good heat transfer performance.
- 3) 2.8MP a gas pressure tested pollution clear is done before delivery.
- 4) Suitable for refrigerants of R22, R134a, R404A, R407C etc.
- 5) With external fans, good heat transfer effect, the FT is suitable for big capacity units.

Model code:



FS standard type specifications

Model	Capacity KW	Area m ²	Fan				Connec dia (mm)		Overall sizes (mm) AxBxC	Install sizes (mm)	
			Input W	Dia mm	Air m ³ /h	Voltage V	Inlet	Outlet		D	E
FS-2	0.6	2	1×40	200	410	220	φ10	φ10	320×100×230	270	65
FS-3.4	1	3.4	1×40	200	410	220	φ12	φ12	320×100×230	270	65
FS-4.4	1.3	4.4	1×60	250	750	220	φ12	φ12	370×100×280	325	65
FS-5.4	1.6	5.4	1×75	300	1350	220	φ12	φ12	440×100×330	392	65
FS-7.0	2	7	1×90	300	1350	220	φ12	φ12	440×130×340	390	90
FS-8.4	2.3	8.4	1×150	350	3100	380	φ16	φ12	500×130×430	455	95
FS-11.5	3.5	11.5	1×150	350	3100	380	φ16	φ12	480×180×430	430	145
FS-15	4.4	15	1×150	350	3100	380	φ16	φ12	550×180×480	490	145
FS-18	5.2	18	1×180	400	4500	380	φ19	φ16	590×180×530	530	140
FS-22	6.4	22	1×180	400	4500	380	φ19	φ16	590×180×530	530	140
FS-25	8.1	25	1×180	400	4500	380	φ19	φ16	750×180×580	660	150
FS-21	6.1	21	2×90	300	2700	220	φ16	φ12	840×180×430	790	140
FS-28	8.2	28	2×150	350	6200	380	φ19	φ16	900×180×430	840	145
FS-33	11.2	33	2×150	350	6200	380	φ19	φ16	900×200×480	840	130
FS-36	12.6	36	2×180	400	9000	380	φ19	φ16	1015×180×580	950	150
FS-43	14.8	43	2×180	400	9000	380	φ22	φ16	1015×180×680	950	150
FS-48	17.5	48	2×180	400	9000	380	φ22	φ16	1250×200×630	1172	120
FS-55	19.2	55	2×180	400	9000	380	φ22	φ19	1250×200×730	1172	140
FS-70A	20.5	70	2×250	450	10360	380	φ28	φ19	1250×200×830	1172	120
FS-80A	24.4	80	2×250	450	10360	380	φ28	φ19	1250×200×830	1172	120
FS-100	29.6	100	4×180	400	18000	380	φ28	φ22	1250×200×1130	1172	120
FS-130	38.2	130	4×180	400	18000	380	φ28	φ22	1250×200×1380	1172	120
FS-150	47.2	150	4×180	400	18000	380	φ28	φ22	1315×250×1330	1240	200
FS-180	54	180	4×180	400	18000	380	φ35	φ22	1325×270×1330	1240	200



FT type specifications

Model	Capacity KW	Area m ²	Fan				Connecting pipe (mm)		Overall size			Installation size (mm)		
			Input (W)	Diam (mm)	Voltage (V)	Air flow (m ³ /h)	Inlet	Outlet	A	B	C	a	a1	b
FT-72	21.5	72	1X600	φ550	380	7950	2Xφ22	2Xφ16	940	980	880	740	-	900
FT-111	33.5	111	2X600	φ550	380	16200	2Xφ22	2Xφ16	1540	980	960	1340	-	900
FT-158	47.5	158	2X600	φ550	380	16200	2Xφ22	2Xφ16	1540	980	960	1340	-	900
FT-180	54.0	180	2X780	φ600	380	20700	2Xφ28	2Xφ22	1840	980	1100	1640	-	900
FT-219	65.0	219	2X780	φ600	380	20300	2Xφ28	2Xφ22	1840	980	1100	1640	-	900
FT-270	81.0	270	3X800	φ630	380	34800	2Xφ28	2Xφ22	2640	1030	1100	2440	1220	950
FT-328	99.0	328	3X800	φ630	380	34200	2Xφ28	2Xφ22	2640	1030	1100	2440	1220	950
FT-383	115.0	383	3X800	φ630	380	34800	2Xφ28	2Xφ22	3040	1030	1200	2840	1420	950
FT-455	137.0	455	4X800	φ630	380	45600	2Xφ35	2Xφ28	3240	1050	1200	3040	1520	950
FT-570	171.0	570	4X800	φ630	380	44000	2Xφ35	2Xφ28	3240	1050	1200	3040	1520	950

FTW Condenser with water spray specifications

Model	Capacity KW	Area m ²	Fan			Connec dia (mm)			Water flow m ³ /h	Overall (mm)			Install size (mm)		
			Input (W)	Voltage (V)	Air flow (m ³ /h)	gas in	liquid out	water pipe		A	B	C	a	a1	b
FTW-70	21.5	70	1×600	380	7950	2×φ22	2×φ16	3/4"	0.6	940	980	880	740	-	900
FTW-111	33.5	105	2×600	380	16200	2×φ22	2×φ16	3/4"	0.6	1540	980	960	1340	-	900
FTW-158	47.5	140	2×600	380	16200	2×φ22	2×φ16	3/4"	0.6	1540	980	960	1340	-	900
FTW-180	54	175	2×780	380	20700	2×φ28	2×φ22	3/4"	0.8	1840	980	1100	1640	-	900
FTW-219	65	195	2×780	380	20300	2×φ28	2×φ22	3/4"	0.8	1840	980	1100	1640	-	900
FTW-270	81	260	3×800	380	34800	2×φ28	2×φ22	1"	1.1	2640	1030	1100	2440	1220	950
FTW-328	99	295	3×800	380	34200	2×φ28	2×φ22	1"	1.1	2640	1030	1100	2440	1220	950
FTW-383	115	365	3×800	380	34800	2×φ28	2×φ22	1"	1.1	3040	1030	1100	2840	1420	950
FTW-455	137	405	4×800	380	45600	2×φ35	2×φ28	1"	1.4	3240	1050	1200	3040	1520	950
FTW-570	171	570	4×800	380	44000	2×φ35	2×φ28	1"	1.4	3240	1050	1200	3040	1520	950

